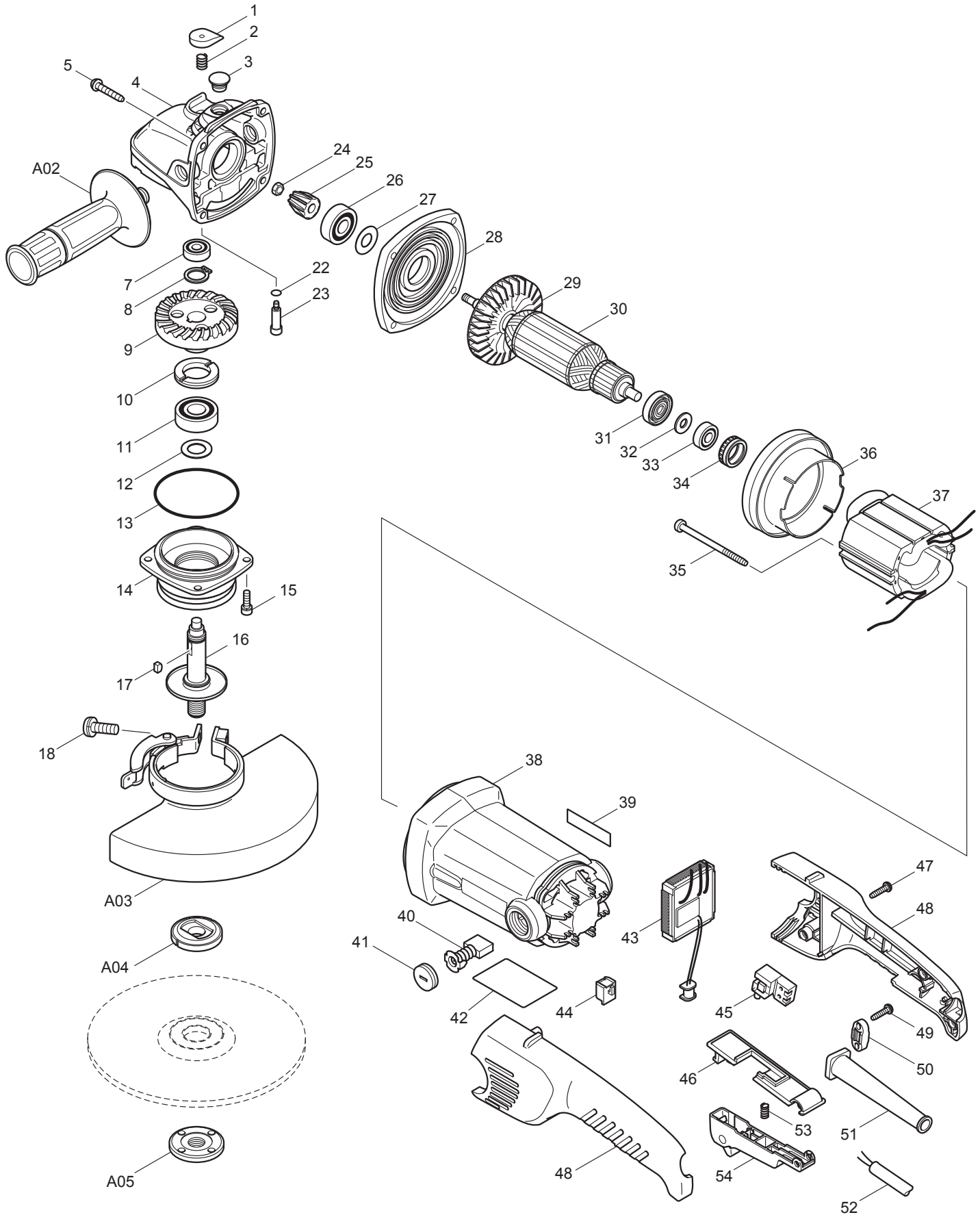




08 - 2010  
GA7010C  
7" ANGLE GRINDER



Item No	Type	Ref	Part No	Description	Qty	Unit
001			418517-3	PIN CAP	1	PC.
002			231037-8	COMPRESSION SPRING 7	1	PC.
003			416972-3	CAP	1	PC.
004	2		318817-0	GEAR HOUSING	1	PC.
005			266173-1	TAPPING SCREW 5X30	4	PC.
007	2		210043-6	BALL BEARING 608LLB	1	PC.
008			961055-9	RETAINING RING S-15	1	PC.
009			227459-8	SPIRAL BEVEL GEAR 37	1	PC.
010			285809-3	BEARING RETAINER 23-36	1	PC.
011			211228-7	BALL BEARING 6202DDW	1	PC.
012			267215-4	FLAT WASHER 15	1	PC.
013			213720-9	O RING 67	1	PC.
014	1		317754-5	* BEARING BOX	1	PC.
	2		318376-4	* BEARING BOX	1	PC.
015			922221-3	HEX. SOCKET HEAD BOLT M5X16	4	PC.
016	1		153785-8	SPINDLE COMPLETE	1	PC.
	2		153816-3	SPINDLE COMPLETE	1	PC.
017			254011-9	WOODRUFF KEY 4	1	PC.
				PAN HEAD SCREW M8X25 (F/CONVENTIONAL WHEEL		
018			265050-4	COVER)	1	PC.
022			213026-5	O RING 7	1	PC.
023			256483-4	SHOULDER PIN 7	1	PC.
024	2		252268-6	HEX. NUT M6	1	PC.
025			227458-0	SPIRAL BEVEL GEAR 11	1	PC.
026			211106-1	BALL BEARING 6201LLB	1	PC.
027			253759-0	FLAT WASHER 12	1	PC.
028			317753-7	GEAR HOUSING COVER	1	PC.
029			240070-9	FAN 76	1	PC.
030			513566-6	ARMATURE ASS'Y 115V	1	PC.
		INC.		Item No. 29, 31-33	1	PC.
031			681660-3	INSULATION WASHER	1	PC.
032			267281-1	FLAT WASHER 8	1	PC.
033			210005-4	BALL BEARING 608DDW	1	PC.
034			421720-7	RUBBER RING 22	1	PC.
035			266059-9	TAPPING SCREW 5X75	2	PC.
036			418516-5	BUFFLE PLATE	1	PC.
037			625701-5	FIELD 115V	1	PC.
038	2		153786-6	MOTOR HOUSING	1	PC.
		INC.	643712-8	BRUSH HOLDER	2	PC.
039			819063-3	MAKITA LABEL (No longer used)	2	PC.
040	2		194992-4	A.C. CARBON BRUSH CB-204 2PCS/SET (W/ ORIGIN)	1	SET
041			643700-5	BRUSH HOLDER CAP 7-18	2	PC.
042			860299-7	NAME PLATE F/GA7010C	1	PC.
043			631597-4	CONTROLLER	1	PC.
044			418518-1	SLEEVE	1	PC.
045	3		651922-3	SWITCH TG71B, SINGLE, W/O LOCK	1	PC.
046			418519-9	SWITCH BASE	1	PC.
047			265995-6	TAPPING SCREW 4X18	4	PC.
048			183783-8	HANDLE SET	1	SET
049			265995-6	TAPPING SCREW 4X18	2	PC.
050	2		687124-5	STRAIN RELIEF	1	PC.
051			682573-1	CORD GUARD 10	1	PC.
052			664463-0	CORD WITH PLUG 2P-14-2.5M, SJ	1	PC.
053			233117-6	COMPRESSION SPRING 6	1	PC.

Item No	Type	Ref	Part No	Description	Qty	Unit
054	2		153789-0	SWITCH LEVER COMPLETE, LOCK-ON	1	PC.
	3		153787-4	SWITCH LEVER COMPLETE, LOCK-ON / LOCK-OFF	1	PC.
D01			654197-3	RING TERMINAL (GARTER SPRING)	2	PC.

### **ACCESSORIES**

- See catalogue or visit [www.makita.ca](http://www.makita.ca) for more optional accessories -

A01			782412-6	LOCK NUT WRENCH 28	1	PC.
A02			152539-0	GRIP 36 COMPLETE	1	PC.
	Opt.		194543-3	VIBRATION PROOF GRIP F/7-9", PKG	1	PC.
A03	2		163425-0	CONVENTIONAL WHEEL COVER F/7" (TYPE 2)	1	PC.
	3		122772-8	* TOOLLESS WHEELCOVER ASSY F/7" (TYPE 3)	1	PC.
	4		123542-8	* TOOLLESS WHEELCOVER ASSY F/7" (TYPE 4)	1	PC.
A04			224317-9	INNER FLANGE 89	1	PC.
			224255-5	INNER FLANGE 78 F/C.O.W COVER	1	PC.
A05			224568-4	LOCK NUT 5/8-45	1	PC.
A06	3		D-20806	7" DEPRESSED CENTER WHEEL GRIT A24R F/METAL	1	PC.
A07			193956-5	DUST COVER ATTACHMENT	1	PC.
A08			743012-7	RUBBER PAD F/7" GRINDER - BULK	1	PC.
A08			192978-2	RUBBER PAD F/7" GRINDER - PACKAGED	1	PC.
A09			----	RESIN FIBRE DISC (See Catalogue for Details)	1	PC.
A10			193048-0	SANDING LOOK NUT 5/8-48, PKGED	1	PC.
A11			743203-6B	6-1/8" WIRE STRINGER BEAD BRUSH 5/8-11 ARBOR	1	PC.
A12	1		224111-9D	THROW - AWAY ADAPTOR (F/D.C.W.)	1	PC.
A13			724901-8D	7" DIAMOND CUTTER - N/L/A	1	PC.
A15	1		195386-6	* #195386-6	1	PC.
	2		197584-8	* DUST COLLECT COVER SET FOR 7"	1	PC.
A16			-----	DIAMOND CUP WHEELS (Use with 195386-6)		
A17			122914-4	* CUT-OFF WHEEL GUARD FOR 7"	1	PC.
A18			194303-3	GRINDER DUST GUARD F/7"	1	PC.
A19			224305-6	OUTER FLANGE 78 F/C.O.W COVER (USE WITH 224568-4)	1	PC.
A20			198514-2	DUST COLLECTION WHEEL COVER SET F/ 7" BLADE	1	PC.
	INC.		122444-5	INNER FLANGE 47 ASSY	1	PC.

### **SERVICE CHANGES**

#### **1. Changes on Bearing Box and Toolless Wheel Cover Assy F/7"**

(TI#74695) (TI#75659) (TI#B3285)

Item No.	Description	Type 1	Type 2	Type 3	Type 4
A03	Toolless Wheel Cover Assy F/7"	163446-2	163425-0	122772-8	123542-8
14	Bearing Box		317754-5		318376-4
A15 Opt.	Dust Collect Cover Set F/ 7"		195386-6		197584-8
A17 Opt.	Cut-Off Wheel Guard F/7"		-----		122914-4

Above parts are completely interchangeable as a set.